

# 4568

## Lever Handle

The Adams Rite 4568 lever Handle is for operation of 4700 Series Deadlatches (except 4750) and MS® + 1890 Latch/Deadlock.



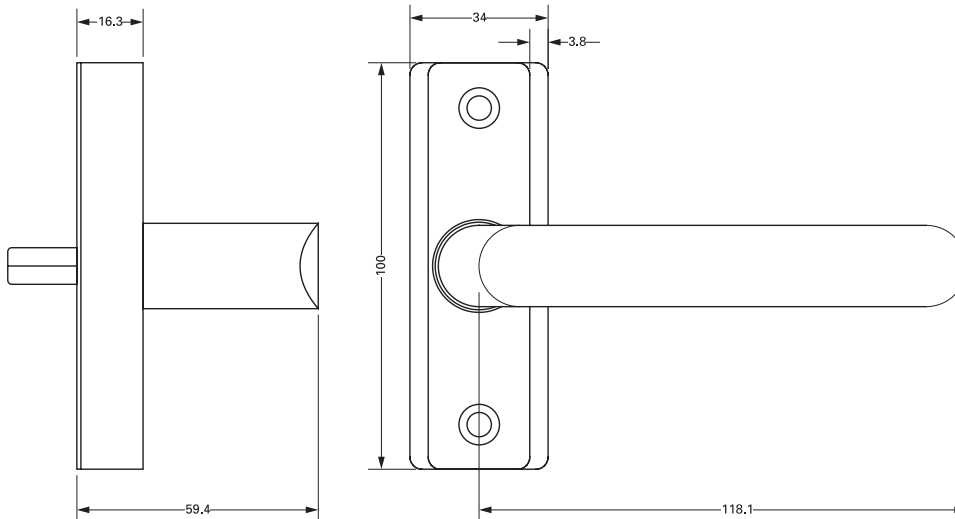
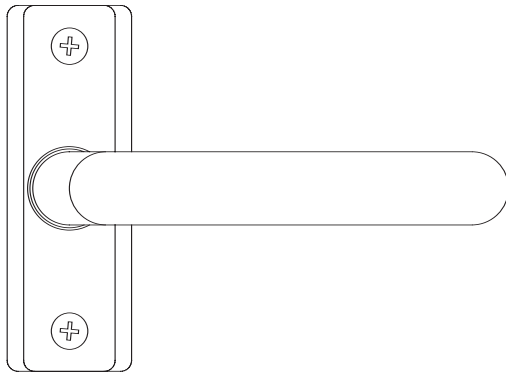
### Key Benefits

- Downward action on lever handle retracts latchbolt.
- Range of finishes: 628 Satin Aluminium, 335 Black, 313 Bronze.
- Steel mounting base.
- Activator cam plug available and supplied with same versions.
- When used with MS® +1890 latch/Deadlock, 4580 cam plug is omitted and spindle is extended to 22mm.
- For use on aluminium doors.

### Related Hardware

4710 Heavy Duty Deadlatch ~ 4720ANSI Deadlatch ~ MS®+1890 Latch/Deadlock

## Dimensions



## Specifications

<b>Escutcheon:</b>	100mm x 34mm. Steel mounting base.
<b>Material:</b>	Cast aluminium.
<b>Spindle:</b>	6.35mm (1/4") on the diamond, heat treated. Interlocks with cam plug. Standard spindle lengths to suit 44.45mm (1 3/4") door thickness.
<b>Finishes:</b>	628 Satin Aluminium, 335 Black, 313 Bronze.
<b>Cam Plug:</b> <b>(not supplied)</b>	Secured in latch by cylinder set-screw. Rigidly fixed to handle escutcheon by hardened steel pins. Handing reversible.

## Ordering Codes

<b>4568-012-121</b>	Lever Handle Bronze Anodised Aluminium Finish, 22mm spindle length for use with MS <sup>®</sup> +1890 Series
<b>4568-012-130</b>	Lever Handle Satin Anodised Aluminium Finish, 22mm spindle length for use with MS <sup>®</sup> +1890 Series
<b>4580 Cam</b>	Plug (reversible)
<b>4568-501-130</b>	Lever Handle Lefthand Satin Anodised Aluminium Finish, 16mm spindle length supplied with Cam plug
<b>4568-601-130</b>	Lever Handle Righthand Satin Anodised Aluminium Finish, 16mm spindle length supplied with Cam plug

**Note:** Other sizes are available for thicker doors; contact the Customer Service Department for details.

The 4568 is not suitable for use with the 4750 Deadlatch.