

# ARC-51 N

## Overhead Concealed Door Closer and 'Springless' Pivot

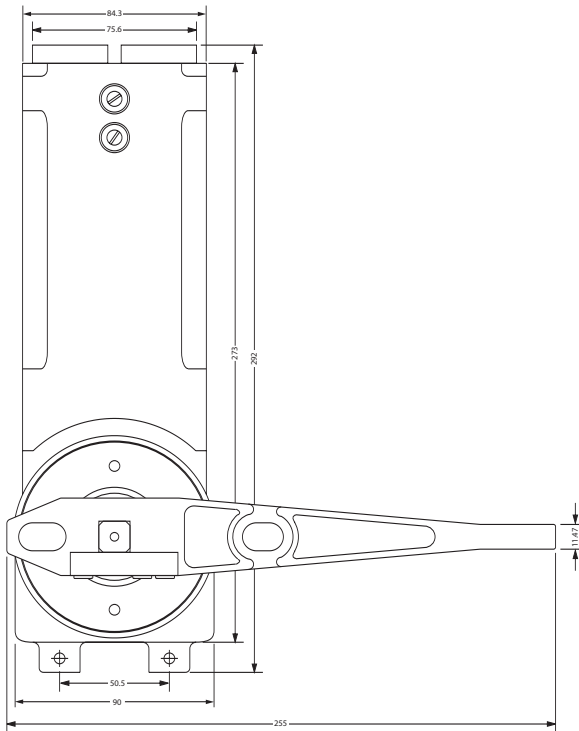
The Adams Rite ARC-51N is designed to provide a controlled closing of a single or double action aluminium doors.



### Key Benefits

- Suitable for use on aluminium doors
- Dual closing speeds to allow flexibility in its closing action, three levels of spring tension, 90° hold-open facility
- Comprehensive fixing pack including a fixing channel
- Heavy duty pivot supplied as standard
- Three levels of spring strength
- The overhead concealed ARC-51 N spring less version used a standard section preparation allowing installation of a surface mounted power assisted closer to aid compliance with the requirements of the DDA
- Variety of arms and brackets to suit most applications

## Dimensions



Spring Strength	Maximum Door Width	Maximum Door Height	Maximum Door Weight
Light	850mm	2500mm	40kg
Medium	950mm	2500mm	60kg
Heavy	1100mm	2500mm	80kg

Spindle Length	From body to end spindle	Total depth
14mm	18mm	56mm
18mm	22mm	60mm
22mm	26mm	64mm

## Specifications

<b>Dimensions:</b>	292mm x 90mm.
<b>Concealed Thickness:</b>	37.5mm.
<b>Door Suitability:</b>	See above for maximum door sizes/weights.
<b>Closing Speed:</b>	Initial closing and latching speeds are factory preset and fully adjustable on site.
<b>Lubrication:</b>	Stable hydraulic fluid suitable for most climatic conditions and constant lubrication.
<b>Features:</b>	Built-in positive back stop and optional 90° hold open position.
<b>Note:</b>	On single action centre-pivot doors it is recommended that a local door stop is fitted at the head to prevent the door swinging through when using electric strikes and latches.

## Ordering Codes

<b>5112-1010N</b>	Standard light spring and non hold-open, 70mm pivot centre
<b>5112-2010N</b>	Standard light spring and 90° hold-open, 70mm pivot centre
<b>5112-1995N</b>	End load, anti-finger trap bracket, light spring and non hold-open, 65mm pivot centre
<b>5112-2995N</b>	End load, anti-finger trap bracket, light spring and 90° hold-open, 65mm pivot centre
<b>5113-1010N</b>	Standard medium spring and non hold-open, 70mm pivot centre
<b>5113-2010N</b>	Standard medium spring and 90° hold-open, 70mm pivot centre
<b>5113-1990N</b>	Side load, anti-finger trap bracket, medium spring and non hold-open, 70mm pivot centre
<b>5113-1995N</b>	End load, anti-finger trap bracket, medium spring and non hold-open, 65mm pivot centre
<b>5113-2990N</b>	Side load, anti-finger trap bracket, medium spring and 90° hold-open, 70mm pivot centre
<b>5113-2995N</b>	End load, anti-finger trap bracket, medium spring and 90° hold-open, 65mm pivot centre
<b>5114-1010N</b>	Standard heavy spring and non hold-open, 70mm pivot centre
<b>5114-2010N</b>	Standard heavy spring and 90° hold-open, 70mm pivot centre
<b>5114-1995N</b>	End load, anti-finger trap bracket, heavy spring and non hold-open, 65mm pivot centre
<b>5114-2995N</b>	End load, anti-finger trap bracket, heavy spring and 90° hold-open, 65mm pivot centre
<b>5123-1010N</b>	Standard medium spring, 22mm spindle and non hold-open, 70mm pivot centre
<b>5123-2010N</b>	Standard medium spring, 22mm spindle and 90° hold-open, 70mm pivot centre

### 'Springless' Overhead Concealed Door Pivot Version

<b>5119-0010N</b>	Standard side load application
<b>5119-0090N</b>	Side load anti finger trap application, 70mm pivot centre
<b>5119-0097N</b>	End load anti finger trap application, 70mm pivot centre
<b>5119-0092N</b>	Side load anti finger trap application, 65mm pivot centre
<b>5119-0095N</b>	End load anti finger trap application, 65mm pivot centre

**Note:** This list covers our most popular options on this product. For details of further options please contact our Customer Service Department.