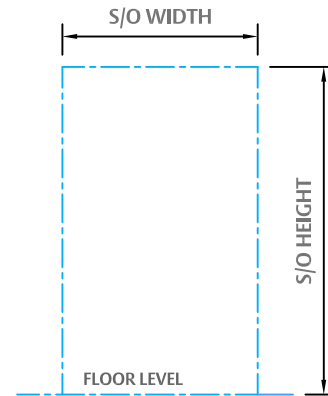


PROCEDURE FOR FITTING STEEL DOOR FRAME AND DOOR LEAF

- ① **CHECK STRUCTURAL OPENING**
CONFIRM WIDTH AND HEIGHT DIMENSIONS OF STRUCTURAL OPENING AGAINST S/O ON DRAWING.

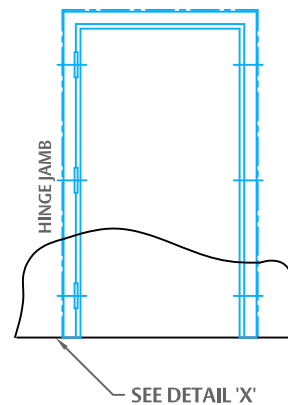
- ② **CHECK WALL SURROUND**
CHECK QUALITY OF REVEALS TO ENSURE HIGH QUALITY FIXING POINTS CAN BE ACHIEVED.
(Strength and High Quality Door Performance is only as good as the strength of the surrounding structure)



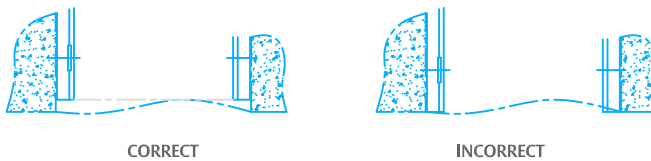
- ③ **POSITION FRAME**
* OFFER UP FRAME INTO OPENING
* ENSURE CORRECT HANDING :-



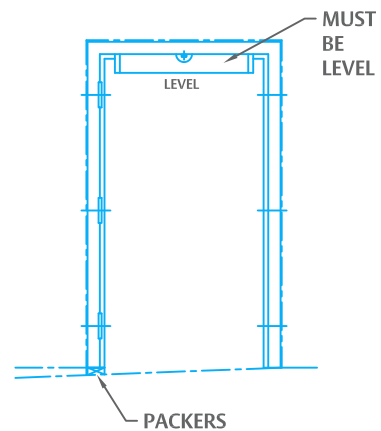
- * IF FLOOR IS NOT LEVEL, ENSURE THAT HINGE JAMB IS NOT RESTING ON THE LOW SIDE OF THE FLOOR
(SEE DRAWING BELOW)
CALCULATE CLEARANCE FROM HIGHEST POINT OVER SWING



DETAIL 'X'

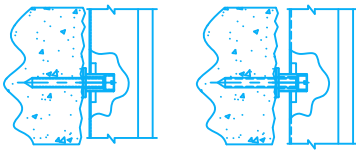


- * PACK UP FRAME IF FLOOR IS NOT LEVEL
- * ENSURE FRAME HEAD CAN BE LEVELED BEFORE FIXING EITHER JAMB
- * ENSURE EVEN GAPS BETWEEN FRAME AND REVEAL ALLOWING FOR DISCREPANCIES IN REVEAL



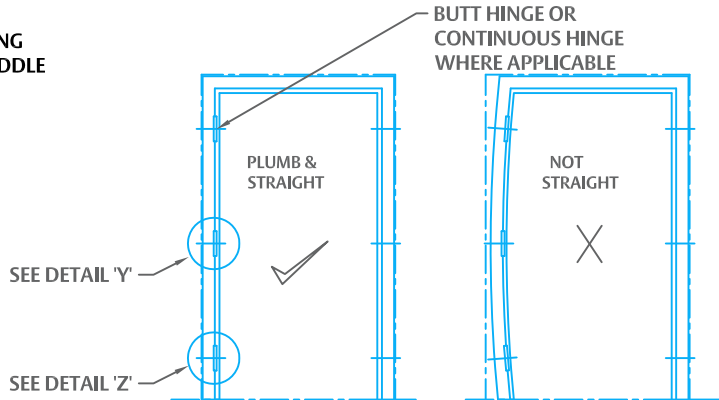
4 FOR SINGLE DOORS FIX HINGE JAMB FIRST STARTING AT THE TOP, THEN BOTTOM, FINISHING IN THE MIDDLE

- * ENSURE JAMB IS PLUMB IN BOTH VERTICAL PLANES
- * ADJUST THE 'POWERSHIELD FRAME ADJUSTERS' TO ENSURE FRAME IS FIRM AGAINST THE WALL AND PERFECTLY STRAIGHT OVER ITS VERTICAL HEIGHT



DETAIL 'Y'

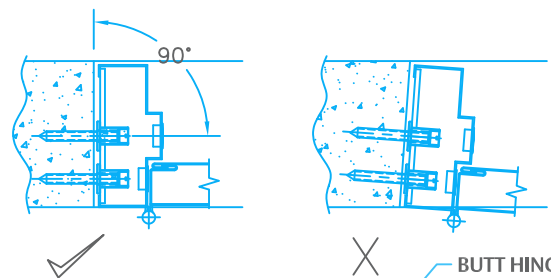
DETAIL 'Z'



- * FOR DOUBLE DOOR FOLLOW ABOVE PROCEDURE FITTING ONE OF THE HINGE JAMBS FIRST

5 * ADJUST BOTH BOTTOM POWERSHIELD FRAME ADJUSTERS TO ENSURE HINGE JAMB IS SQUARE IN OPENING

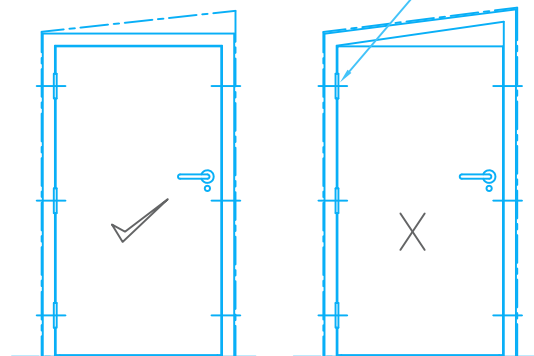
- * POSITION DRILL INSIDE ADJUSTER SCREW AND DRILL CORRECT DIAMETER HOLE (TO SUIT WALL CONSTRUCTION) TO REQUIRED DEPTH, INSERT FRAME FIXING AND TIGHTEN CHECK FOR SQUARENESS - REPEAT PROCEDURE FOR REMAINING FIXINGS AND TIGHTEN FIXINGS



BUTT HINGE OR CONTINUOUS HINGE WHERE APPLICABLE

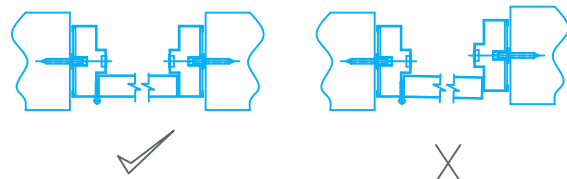
6 * ONCE HINGE JAMB IS CORRECTLY FIXED THEN PROCEED TO HANG THE DOOR LEAF IN THE FRAME (OR ADJACENT LEAF FOR THE DOUBLE DOORSET)

- * ADJUST HEAD OF DOOR FRAME TO ENSURE DOOR LEAF AND FRAME HEAD REMAIN LEVEL AND PARALLEL

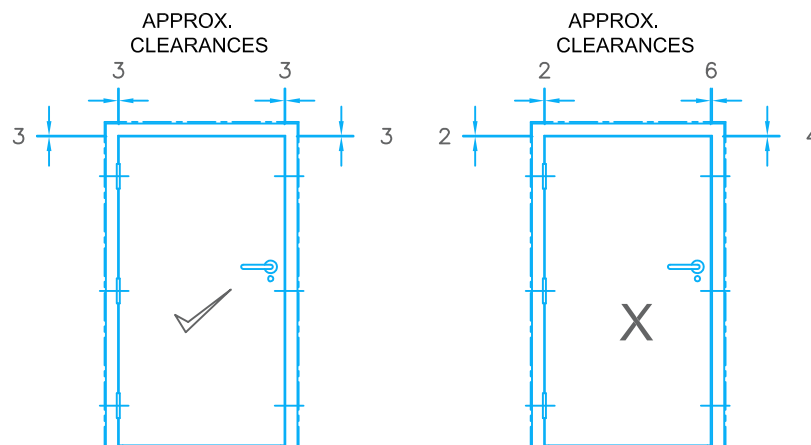


7 * ENSURE DOOR IS CLOSING EQUALLY TO DOOR FRAME STOPS ON BOTH JAMBS AND HEAD

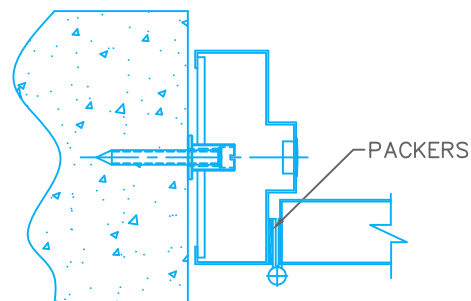
- * FIX THE OPPOSITE JAMB WITH THIS RELATIONSHIP TAKING PRECEDENCE OVER ABSOLUTE PLUMB
- * FIX TOP FIXING FIRST, THEN BOTTOM, THEN REMAINDER OF MIDDLE FIXINGS



- ⑧ * ENSURE ADJUSTERS REMAIN FIRM AGAINST REVEAL
* ANY SIGNIFICANT DEVIATION FROM PLUMBS SHOULD ENCOURAGE REVIEW OF EARLIER STEPS
- ⑨ * DOOR CAN NOW BE OPERATED GENTLY TO ENSURE FREE MOVEMENT (NO CLASHES !)
- ⑩ * SECOND LEAF OF DOUBLE DOOR SHOULD BE FITTED IN A SIMILAR MANNER, CONCENTRATING ON RELATIONSHIP OF LEAVES AT MEETING STILE
- ⑪ * ALL BORDERS BETWEEN DOOR LEAF & FRAME SHOULD EQUAL AND PARALLEL



- * IF DOOR IS NOT CENTRALISED HINGE PACKERS CAN BE INSERTED TO THROW THE DOOR IN THE DESIRED DIRECTION



DOOR INSTALLER CHECK LIST

	✓	X	COMMENTS
① ENSURE TIGHT FIT OF LOCK INSTALLATION	<input type="checkbox"/>	<input type="checkbox"/>	_____ _____ _____
	✓	X	COMMENTS
② ENSURE TIGHT FIT OF HARDWARE FIXING	<input type="checkbox"/>	<input type="checkbox"/>	_____ _____ _____
	✓	X	COMMENTS
③ ENSURE TIGHT FIT OF LOCKING PLATE	<input type="checkbox"/>	<input type="checkbox"/>	_____ _____ _____
	✓	X	COMMENTS
④ ENSURE TIGHT FIT OF HINGES	<input type="checkbox"/>	<input type="checkbox"/>	_____ _____ _____
	✓	X	COMMENTS
⑤ CHECK LATCH BOLT ENGAGES FULLY	<input type="checkbox"/>	<input type="checkbox"/>	_____ _____ _____
	✓	X	COMMENTS
⑥ CHECK LATCH BOLT(S) ARE COMPLETELY RETRACTED WHEN OPERATING THE DEVICE WITH THE BOLT ENGAGED	<input type="checkbox"/>	<input type="checkbox"/>	_____ _____ _____